

2009_Grade_6_Mathematics_Set_A

Copyright© National Institute for Educational Policy Reserch
All Right Reserved URL:
<https://www.nier.go.jp/English/index.html>

The English translation is prepared by the Project IMPULS at
Tokyo Gakugei University, Tokyo, Japan. (<http://www.impuls-tgu.org/>)

This translation is intended to be used for research and
education purposes only. No part of this document may be
reproduced for commercial purposes without the written
consent of the copyright holder.

2009 Problem Set A

[1] Calculate the following.

(1) $153 + 49$

(2) 725×8

(3) $204 \div 4$

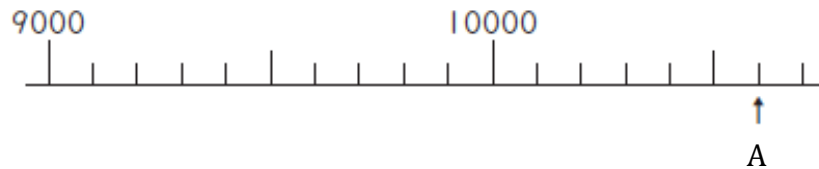
(4) $48.1 \div 1.3$

(5) $\frac{7}{6} - \frac{2}{6}$

(6) $80 - 30 \div 5$

[2] Answer the following questions.

(1) Write the number that is represented by the tick mark labeled A.



(2) Write the number that is made up of 45 100's.

(3) Select the number that is obtained by rounding 74291 to the nearest thousands from **1** through **4** below and write the number.

- 1 70000
- 2 74000
- 3 74300
- 4 75000

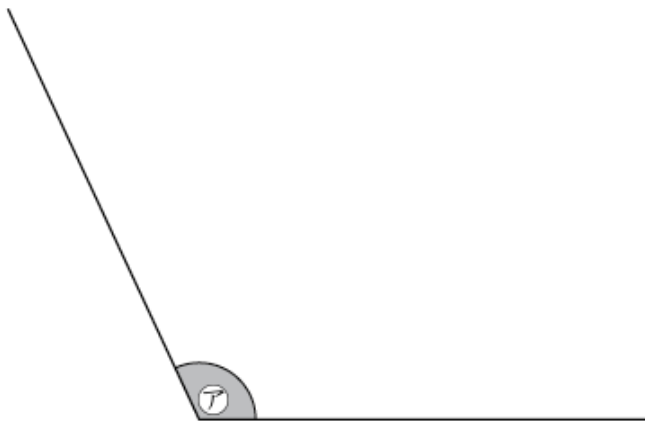
(4) From the numbers below, select all even numbers and list them.

0, 1, 35, 78, 100

[3] If you consider a 1000-yen bill as a rectangle, about how long are the long sides? Select from **1** through **4** below and write the number.

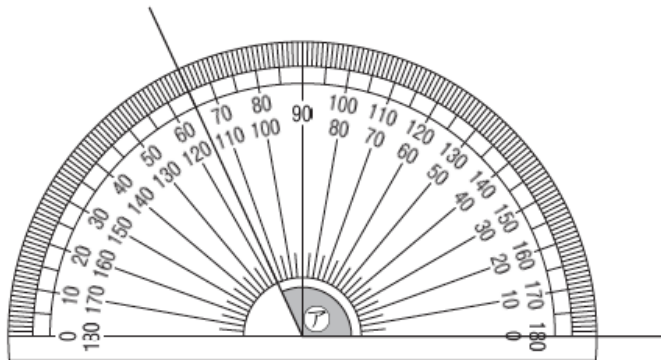
- 1 3 cm
- 2 15 cm
- 3 30 cm
- 4 50 cm

[4] We are trying to measure Angle A using a protractor.



>>> Insert the figure: the shaded angle is angle A <<<

How many degrees is the measure of Angle A? Write your answer.



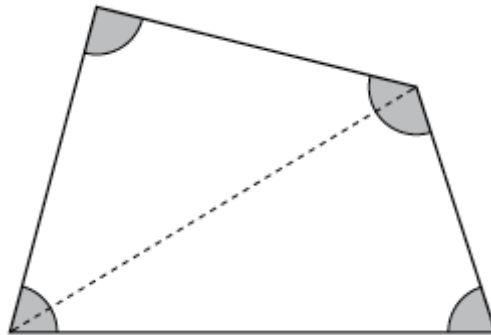
>>> Insert the figure: the shaded angle is angle A <<<

[5] Answer the following questions.

- (1) As shown in the figure below, we are going to split a quadrilateral into 2 triangles and determine the sum of the four angles in the quadrilateral.

Using the fact that the sum of angles in a triangle is 180° , write the expression that will calculate the sum of angles in a quadrilateral.

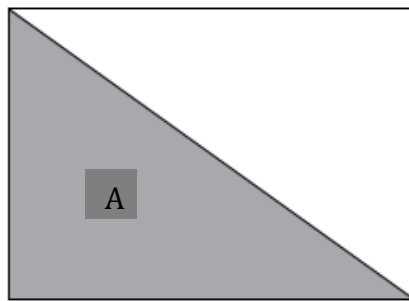
You do not have to write the result of the calculation.



(2) There is a rectangle like the one shown below.



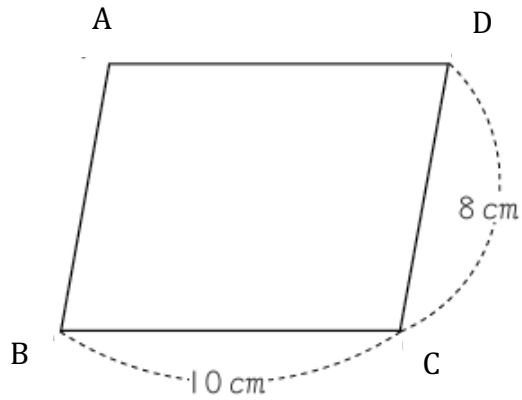
We will cut this rectangle along a diagonal as shown below.



Select the name of the figure as region A that we make from **1** through **5** below and write the number.

- 1** Rhombus
- 2** Rectangle
- 3** Equilateral triangle
- 4** Right triangle
- 5** Isosceles triangle

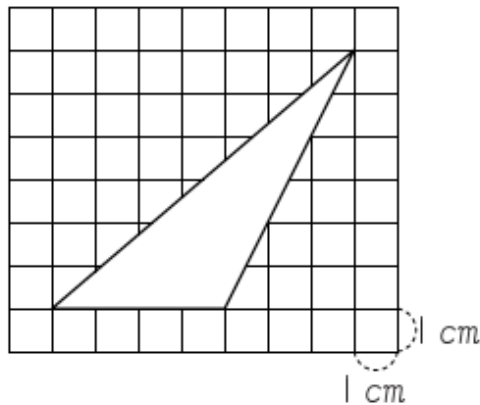
(3) There is Parallelogram ABCD as shown below.



How many cm is the length of side AD? Write your answer.

- [6] We are going to determine how many cm^2 is the area of the triangle shown below. Write the expression to calculate the area of this triangle.

Gridlines are 1 cm apart. You do not have to write the result of your calculation.



- [7] Elementary school students gathered at a certain location. Of the 200 elementary school students gathered there, 80 of them were girls. What % of the total number of elementary school students gathered were girls? Select from **1** through **4** below and write the number.

- 1 0.4%
- 2 2.5%
- 3 40 %
- 4 80 %

- [8] We asked 13 people whether or not they have a dog or a cat at their houses and recorded the results as shown below.

Survey of Pets at Home

Roll #	Dog	Cat
1	○	×
2	×	×
3	○	×
4	○	○
5	○	×
6	×	×
7	○	×
8	×	×
9	○	○
10	×	○
11	○	×
12	×	×
13	○	×

○ Yes

×..... No

We are going to summarize the results into the table below.
Write the appropriate number that will go into Cell A.

Survey of Pets at Home

		Cat		Total
		○	×	
Dog	○		A	
	×			
Total				

○ Yes

×..... No